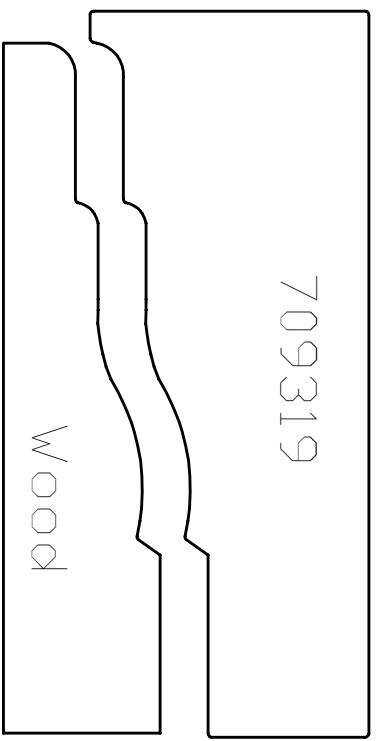


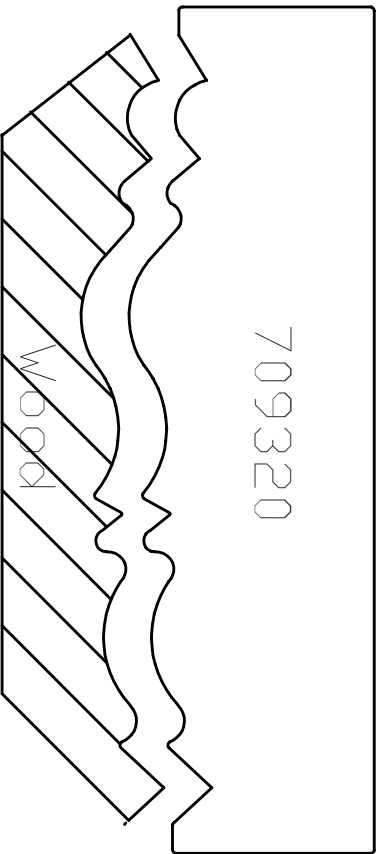
709318

Wood



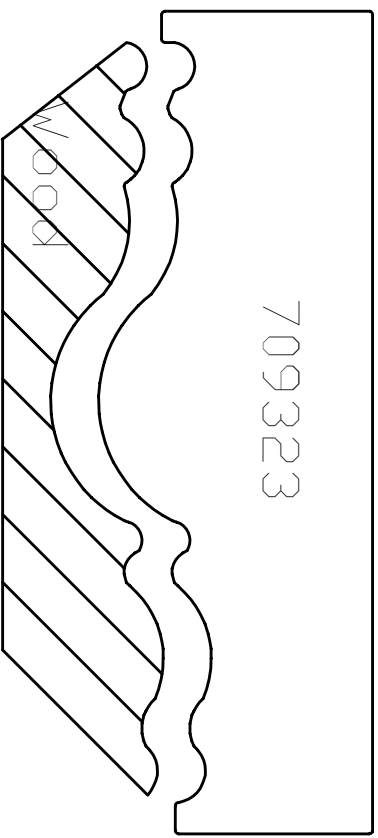
709319

Wood



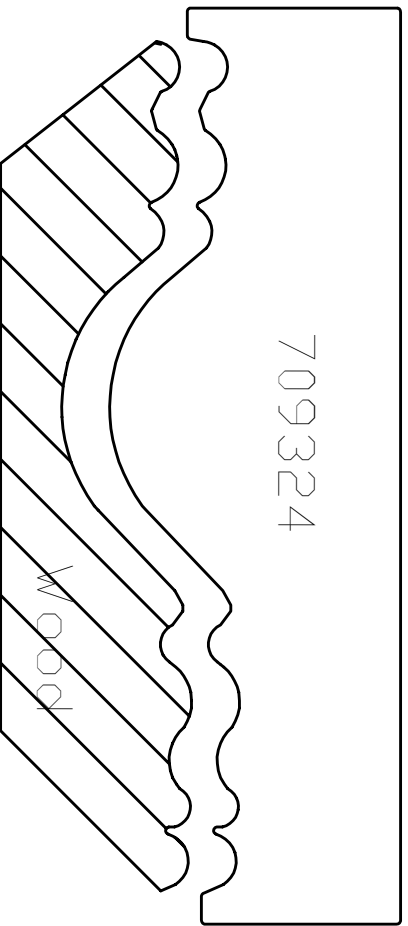
709320

Wood



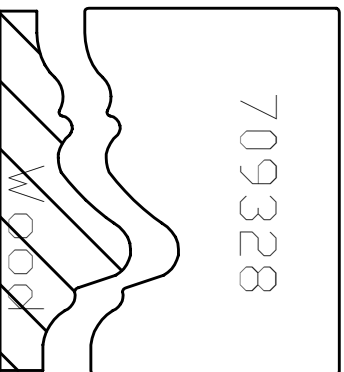
709323

Wood



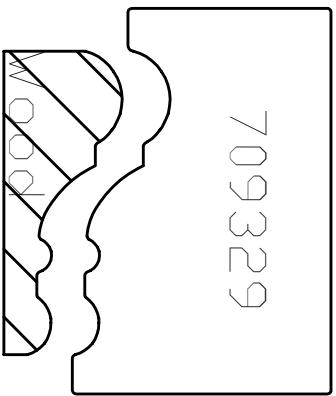
709324

Wood



709328

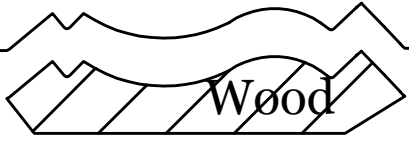
Wood



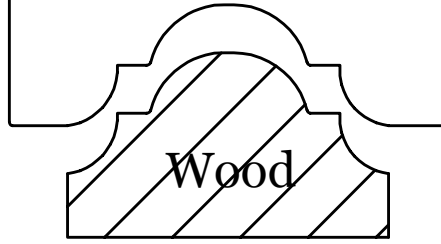
709329

Wood

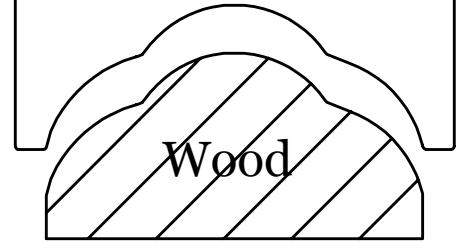
709330



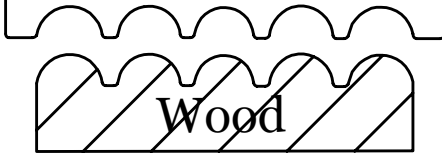
709332



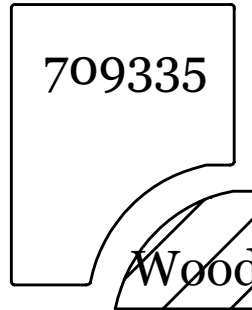
709333



709334



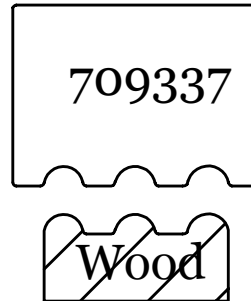
709335



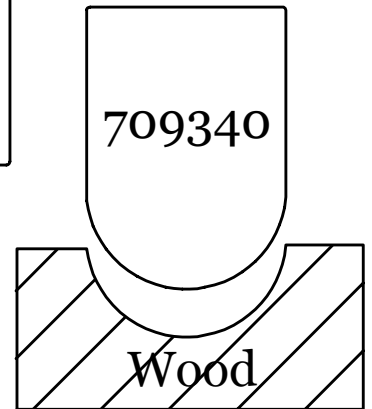
709336



709337



709340



WDR Sales CO.

9604 Belmont Ave.
 Kansas City, MO 64134

Estimate

Date	Estimate #
3/27/2010	2

Name / Address
Price Sheet for Jet

			Project
Description	Qty	Rate	Total
709300 Ogee Stop 1x3/4" ol 1.25		37.50	37.50
709302 Picture 1-1/2x1/2" ol 1.75		52.50	52.50
709303 Picture 1 1/2"x1/2" ol 2.125		63.75	63.75
709304 Picture 1 3/4"x1/2" ol 2.0		60.00	60.00
709305 Picture 1 3/4"x1/2" ol 2.0		60.00	60.00
709307 t & G set 1" ol 1.25"		75.00	75.00
709308 3/4" x 3/8" rabbit ol.1		30.00	30.00
709309 Cove 3/4 x 3/4" ol 1		30.00	30.00
709310 Quarter Rd 3/4"x3/4" 1.25"		37.50	37.50
709313 Casing 2.25"x.75" ol 2.625"		78.75	78.75
709314 Casing 2.25" x 3/4" ol		75.00	75.00
709315 Chair Rail 3.375"x.75"		109.80	109.80
709316 Crown 1 2.625"x5/8"ol 2.9"		87.00	87.00
709317 Base 3.5"x 1 1/8" ol 4.25"		127.50	127.50
709318 Crown 3.875"x 1.25"		123.75	123.75
709319 Casing 3.5" x 1" ol 3.875"		116.25	116.25
709320 Crown 4.125"x1.125"		132.30	132.30
709322 Crown 2.875"x1.25"		93.75	93.75
709323 Crown 4" x 1.25" ol 4.25"		127.50	127.50
709324 Crown 4.25"x1.25" ol 4.77"		143.10	143.10
709328 Chair Rail 1.625"x.75"		57.00	57.00
709329 Chair Rail 1.75" x .5"		60.00	60.00
709330 Bed Knife 2" x .75" ol 2.28"		28.94	28.94
709332 Astrical 2" x .75" ol 2.28"		68.40	68.40
709333 Astrical 2" x .75" ol 2.27"		68.10	68.10
709334 five beads 2		67.50	67.50
709335 Base Shoe 5/8"x5/8"		33.75	33.75
709336 1/4"x1/2" Qd 7/8" x 3/4"		33.75	33.75
709337 3 bead 1"x 3/4" ol 1.25"		37.50	37.50
709340 Flute 1" radius ol 1"		30.00	30.00
		Total	\$2,145.89